

GE-924 Air Differential Pressure Switch

Series of GE-924 Air Differential Pressure Switch can be used to sense (differential) pressure and flow of air in ducts and pipes. It is same as Honeywell and Setra.

Technical Specification:

- * Max. differential pressure: 5000Pa
- * Protection Class: IP54
- * Output: 1.0A (0.4A)/ 250VAC
- * Working temperature:-20~85 C
- * Storage temperature: -40~85C
- * Min. Actuating pressure: 20Pa(Standard);
- * min.starting interval: 10Pa; range: 20~30Pa
- * Installation Direction: vertical (standard installation style)
- * Hose connection: pipe P6.0mm

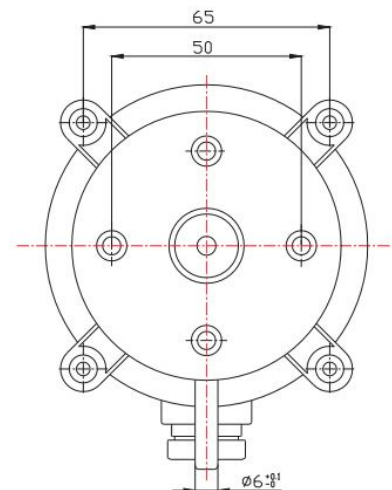
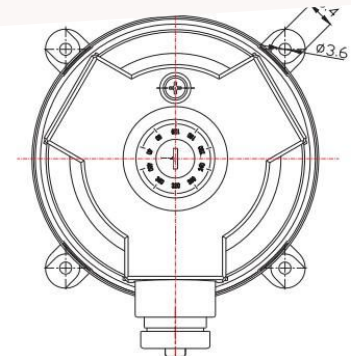
Type:

Adjust Range	Return Difference	Deviation
20~200 Pa	10 Pa	± 10%
30~300 Pa	10 Pa	± 10%
40~400 Pa	20 Pa	± 10%
50~500 Pa	20 Pa	± 10%
200~1000 Pa	100 Pa	± 10%
500~2500 Pa	150 Pa	± 10%
1000~5000 Pa	200 Pa	± 10%

Possible fields of application include:

- * Monitoring air filters and ventilators
- * Monitoring industrial cooling-air circuits
- * Maximum air flow controller for variable air volume systems
- * Overheating protection for fan heaters
- * Monitoring flows in ventilation ducts
- * Controlling air and fire-protection flaps
- * Frost protection for heat exchangers
- * Air proving in ventilation ducts

Accessory:



<http://www.ayite.net>

<http://www.ayite1973.com>

Email: sales@ayite.net

