

# GE-379 Dual Metal Temperature Switch

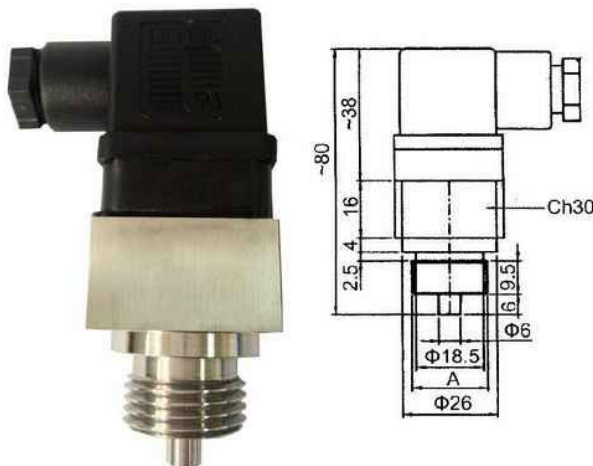
--- Bimetal Temperature Controller

## Description of GE-379 bimetal temperature switch:

GE-379 bimetal temperature switch could be brass body or stainless steel body, with an internal sensing cavity. GE-379 temperature controller adopt dual metal sheets. when temperature action set point is reached, result from thermal expansion, the expanded metal sheet activates the micro switch. Micro switch have UL CE certification.

## Application of GE-379 bimetal temperature switch:

The unique compact design of GE-379 temperature switches allows for sensing of the fluid temperature without the requirement of a probe. This compact bimetallic temperature switch will could work with most industrial applications, e.g. hydraulic system, lubrication system, transmission system etc. This temperature controller switch could work as Hydraulic reservoir safety switch or Coolant temperature switch.



GE -379A Stainless Steel Type



GE -379B Brass Type

## Specification of GE-379 dual metal temperature switch:

- \* Temperature setpoint: 30C, 40C, 50C, 60C, 70C, 80C, 90C, 100C, 110C, 120C
- \* Accuracy: FS +/-3 C
- \* Max Pressure: 10 bar
- \* Max Temperature: 130 C
- \* Hysteresis: 15 C
- \* Output: NO or NC, Gold-plated contacts
- \* Max Loading: 16A 220V AC
- \* Electrical Connection: DIN Hirschmann
- \* Wetted parts material: GE-379A stainless steel or GE-379B brass
- \* Connecting thread: G1/4, G3/8, G1/2", M14x1.5, M22x1.5, NPT1/4, NPT3/8
- \* Protection class: IP65

**Model Selection of GE-379 dual metal temperature switch**

Type	Material	Setpoint	Connection	Output	Description
GE-379					Temperature Switch
	A				Stainless Steel
	B				Brass
		030			Switch point 30C
		040			Switch point 40C
		050			Switch point 50C
		060			Switch point 60C
		070			Switch point 70C
		080			Switch point 80C
		090			Switch point 90C
		100			Switch point 100C
		110			Switch point 110C
		120			Switch point 120C
			G14		Male Thread G1/4"
			G38		Male Thread G3/8"
			G12		Male Thread G1/2"
			M14		Male Thread M14x1.5
			M22		Male Thread M22x1.5
			N14		Male Thread NPT1/4"
			N38		Male Thread NPT3/8"
				NO	Normal Open
				NC	Normal Close

**A.YITE INSTRUMENT CORP****<http://www.ayite.net>****Email: [sales@ayite.net](mailto:sales@ayite.net)**

© Copyright 1997-2015

